

SBTL8200 Series

SBTL8200 Speed gate for additional lane

SBTL8211 Speed gate for additional lane
(w/ controller and RFID reader)

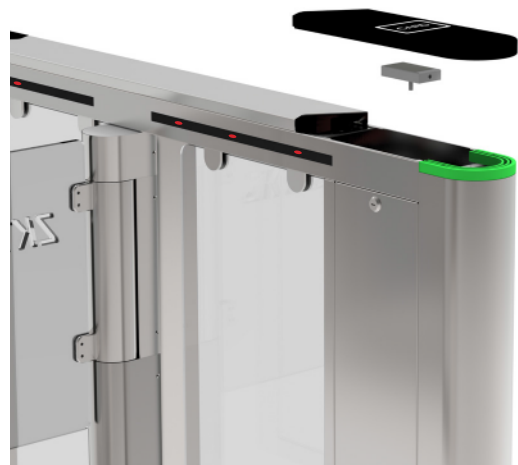
SBTL8222 Speed gate for additional lane
(w/ controller and fingerprint & RFID reader)

SBTL8233 Speed gate for additional lane
(w/ Visible Light Facial Recognition devices)

SBTL8200 is designed to work with SBTL8000 series for forming multiple lanes.

Design

In order to respond to different market needs, all barrier turnstiles based on different verification methods need to be stocked in warehouse because switching among verification methods requires additional processing on the product, thus, huge inventory and processing cost will be incurred. For overcoming above issue, modularized structure design is used in SBTL series to integrate the reader, conversion board and top cover into one modular reader panel, the installation and disassembling are only about pulling the plug and no drilling is needed. Benefited from this revolutionary design, one SBTL8000 can adopt various types of verification method which relieves inventory pressure from stocking up every types of barrier turnstile.



Performance

In order to improve the efficiency of pedestrian access management and user experience, we adopted a new type of servomotor which makes the speed gates have faster opening speed and lower noise. The test results show that the opening speed is less than 1.2 seconds with the standard barrier panels, if assembled the mid-height barrier panels instead, the opening speed will be less than 0.8 seconds. The infrared sensors has increased to 10 pairs, which is 160% more than other similar products in order to provide more accurate logical judgment.



Quality

The covers and outer side panels made of superior quality stainless steel for exceptional durability. The barrier panels made of acrylic has better aging resistance and impact resistance. From raw material procurement to production, quality inspection has a perfect management system.



Features

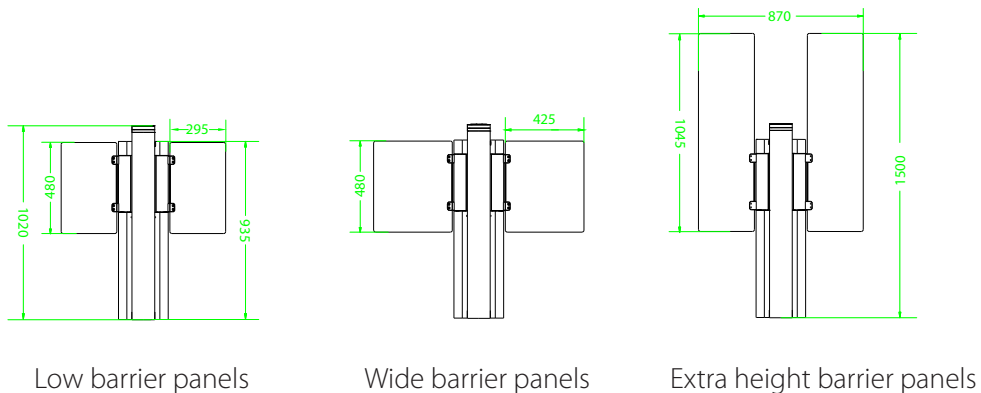
- Modular reader panel - respond to the market faster
- Servomotor - faster opening speed
- 10 pairs of infrared sensors for stronger tailgate detection
- SUS304 stainless steel casing
- Higher durability for longer product life cycle
- Easy switch, easy installation - RFID, fingerprint, face, etc.
- Bi-directional operation control
- LED passage indicator in both directions
- Convenient installation and maintenance
- Various optional panels
- Emergency mode allows free access when power failures or emergency



Specifications

Power requirements	AC 100 ~ 120V/200 ~ 240V, 50/60Hz
Working temperature	-28°C~ 60°C
Working humidity	20%-95% (Non-condensing)
Working environment	Indoor
Speed of throughput	Maximum 40/ minute
Lane width(mm)	660
Footprint(mm*mm)	1600*870
Dimensions(mm)	L=1600, W=870, H=1200
Dimension with packing(mm)	L=1700, W=300, H=1130
Net weight(kg)	86kg
Weight with packing(kg)	100kg
Cabinet material	SUS304 Stainless Steel
Lid material	SUS304 Stainless Steel+Acrylic
Barrier material	Acrylic
Barrier movement	Swing
Emergency mode	Y

Optional Panels



Dimensions (mm)

